

Blockmontagen

One-Piece Mounts



aus hochfestem Aluminium aus dem Vollen gefräst; harteloxiert nach Mil-Spec. Typ III mattschwarz.

Lieferbar ohne oder mit Vorneigung; sehr wiederholgenau und präzise; erhältlich mit Sicherheitshebeln oder Muttern.

Montage mit 2"- und 3"- Verlängerung speziell für AR15 geeignet.

Montage in kurzer Ausführung und 2"- Verlängerung geeignet für das AR10.

from high grade aluminum and hardcoat anodized according to Mil-Spec. Class III.

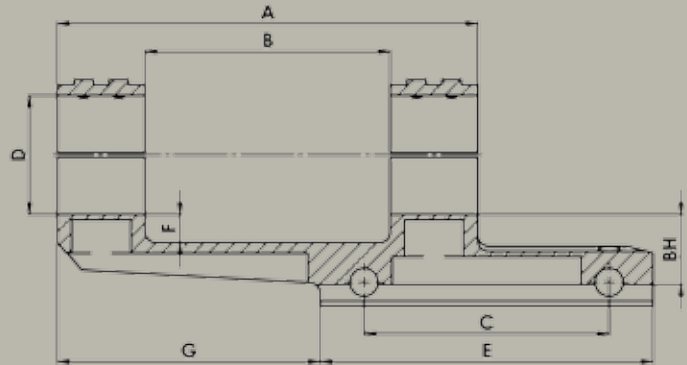
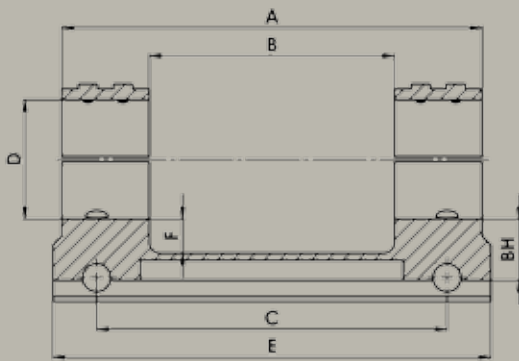
Mounts available without angle or angled. High repeatability and precision by solid design. Available with 7/16" nuts or self locking levers.

2"- and 3"- offset models to be used especially on AR15 rifles.

Mounts without or 2"- extension fit AR10 rifles.

	D Durchmesser Diameter	BH Bauhöhe Height	MOA Vorneigung Inclination	G Verlängerung Offset	A
	30 mm / 1.181"	10 mm / 0.394"	ohne / without	ohne / without	125 mm / 4.921"
	30 mm / 1.181"	15 mm / 0.591"	ohne / without	ohne / without	125 mm / 4.921"
	30 mm / 1.181"	20 mm / 0.787"	ohne / without	ohne / without	125 mm / 4.921"
	30 mm / 1.181"	10 mm / 0.394"	20	ohne / without	125 mm / 4.921"
	30 mm / 1.181"	15 mm / 0.591"	20	ohne / without	125 mm / 4.921"
	30 mm / 1.181"	22 mm / 0.866"	20	ohne / without	125 mm / 4.921"
	30 mm / 1.181"	22 mm / 0.866"	ohne / without	50 mm / 2,000"	120 mm / 4.724"
	30 mm / 1.181"	22 mm / 0.866"	20	50 mm / 2,000"	120 mm / 4.724"
	30 mm / 1.181"	34 mm / 1.339"	ohne / without	50 mm / 2,000"	115 mm / 4.528"
	30 mm / 1.181"	34 mm / 1.339"	20	50 mm / 2,000"	115 mm / 4.528"
	30 mm / 1.181"	22 mm / 0.866"	ohne / without	75 mm / 3,000"	120 mm / 4.724"
	30 mm / 1.181"	22 mm / 0.866"	20	75 mm / 3,000"	120 mm / 4.724"
	34 mm / 1.339"	11 mm / 0.433"	ohne / without	ohne / without	120 mm / 4.724"
	34 mm / 1.339"	17,5 mm / 0.689"	ohne / without	ohne / without	120 mm / 4.724"
	34 mm / 1.339"	25 mm / 0.984"	ohne / without	ohne / without	120 mm / 4.724"
	34 mm / 1.339"	11 mm / 0.433"	20	ohne / without	120 mm / 4.724"
	34 mm / 1.339"	19,5 mm / 0.768"	20	ohne / without	120 mm / 4.724"
	34 mm / 1.339"	27 mm / 1.063"	20	ohne / without	120 mm / 4.724"
	34 mm / 1.339"	20 mm / 0.787"	ohne / without	40 mm / 1.575"	95 mm / 3.740"
	34 mm / 1.339"	20 mm / 0.787"	ohne / without	50 mm / 2,000"	120 mm / 4.724"
	34 mm / 1.339"	20 mm / 0.787"	20	50 mm / 2,000"	120 mm / 4.724"
	34 mm / 1.339"	32 mm / 1.260"	ohne / without	50 mm / 2,000"	115 mm / 4.528"
	34 mm / 1.339"	32 mm / 1.260"	20	50 mm / 2,000"	115 mm / 4.528"
	34 mm / 1.339"	20 mm / 0.787"	ohne / without	75 mm / 3,000"	120 mm / 4.724"
	34 mm / 1.339"	20 mm / 0.787"	20	75 mm / 3,000"	120 mm / 4.724"

Blockmontagen One-Piece Mounts



	B	C	E	F	Best.-Nr. Hebel Part # Lever	Best.-Nr. Mutter Part # Nut
	75 mm / 3,000"	100 mm / 3.937"	125 mm / 4.921"	2,3 mm / 0.091"	T1013-0010	T2013-0010
	75 mm / 3,000"	100 mm / 3.937"	125 mm / 4.921"	7,3 mm / 0.287"	T1013-0015	T2013-0015
	75 mm / 3,000"	100 mm / 3.937"	125 mm / 4.921"	10,0 mm / 0.394"	T1013-0020	T2013-0020
	75 mm / 3,000"	100 mm / 3.937"	125 mm / 4.921"	1,5 mm / 0.059"	T1013-2010	T2013-2010
	75 mm / 3,000"	100 mm / 3.937"	125 mm / 4.921"	6,5 mm / 0.256"	T1013-2015	T2013-2015
	75 mm / 3,000"	100 mm / 3.937"	125 mm / 4.921"	9,0 mm / 0.354"	T1013-2022	T2013-2022
	70 mm / 2.756"	70 mm / 2.756"	95 mm / 3.740"	10,0 mm / 0.394"	T1023-0022	T2023-0022
	70 mm / 2.756"	70 mm / 2.756"	95 mm / 3.740"	9,0 mm / 0.354"	T1023-2022	T2023-2022
	65 mm / 2.559"	70 mm / 2.756"	95 mm / 3.740"	22,0 mm / 0.866"	T1023-0034	T2023-0034
	65 mm / 2.559"	70 mm / 2.756"	95 mm / 3.740"	21,4 mm / 0.843"	T1023-2034	T2023-2034
	70 mm / 2.756"	70 mm / 2.756"	95 mm / 3.740"	10,0 mm / 0.394"	T1033-0022	T2033-0022
	70 mm / 2.756"	70 mm / 2.756"	95 mm / 3.740"	9,0 mm / 0.354"	T1033-2022	T2033-2022
	70 mm / 2.756"	100 mm / 3.937"	125 mm / 4.921"	3,3 mm / 0.130"	T1014-0011	T2014-0011
	70 mm / 2.756"	100 mm / 3.937"	125 mm / 4.921"	9,8 mm / 0.386"	T1014-0017	T2014-0017
	70 mm / 2.756"	100 mm / 3.937"	125 mm / 4.921"	12,0 mm / 0.472"	T1014-0025	T2014-0025
	70 mm / 2.756"	100 mm / 3.937"	125 mm / 4.921"	2,7 mm / 0.106"	T1014-2011	T2014-2011
	70 mm / 2.756"	100 mm / 3.937"	125 mm / 4.921"	11,0 mm / 0.433"	T1014-2019	T2014-2019
	70 mm / 2.756"	100 mm / 3.937"	125 mm / 4.921"	11,0 mm / 0.433"	T1014-2027	T2014-2027
	45 mm / 1.772"	70 mm / 2.756"	95 mm / 3.740"	8,0 mm / 0.315"	T1094-0020	T2094-0020
	70 mm / 2.756"	70 mm / 2.756"	95 mm / 3.740"	8,0 mm / 0.315"	T1024-0020	T2024-0020
	70 mm / 2.756"	70 mm / 2.756"	95 mm / 3.740"	7,0 mm / 0.276"	T1024-2020	T2024-2020
	65 mm / 2.559"	70 mm / 2.756"	95 mm / 3.740"	20,0 mm / 0.787"	T1024-0032	T2024-0032
	65 mm / 2.559"	70 mm / 2.756"	95 mm / 3.740"	19,4 mm / 0.764"	T1024-2032	T2024-2032
	70 mm / 2.756"	70 mm / 2.756"	95 mm / 3.740"	8,0 mm / 0.315"	T1034-0020	T2034-0020
	70 mm / 2.756"	70 mm / 2.756"	95 mm / 3.740"	7,0 mm / 0.276"	T1034-2020	T2034-2020